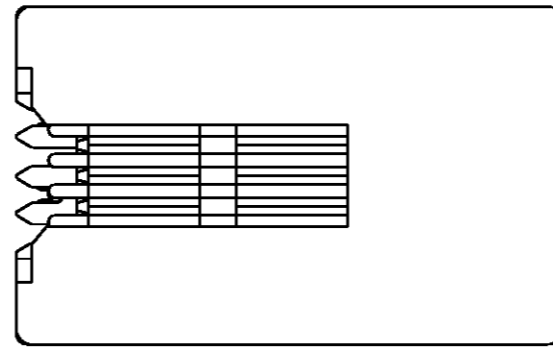


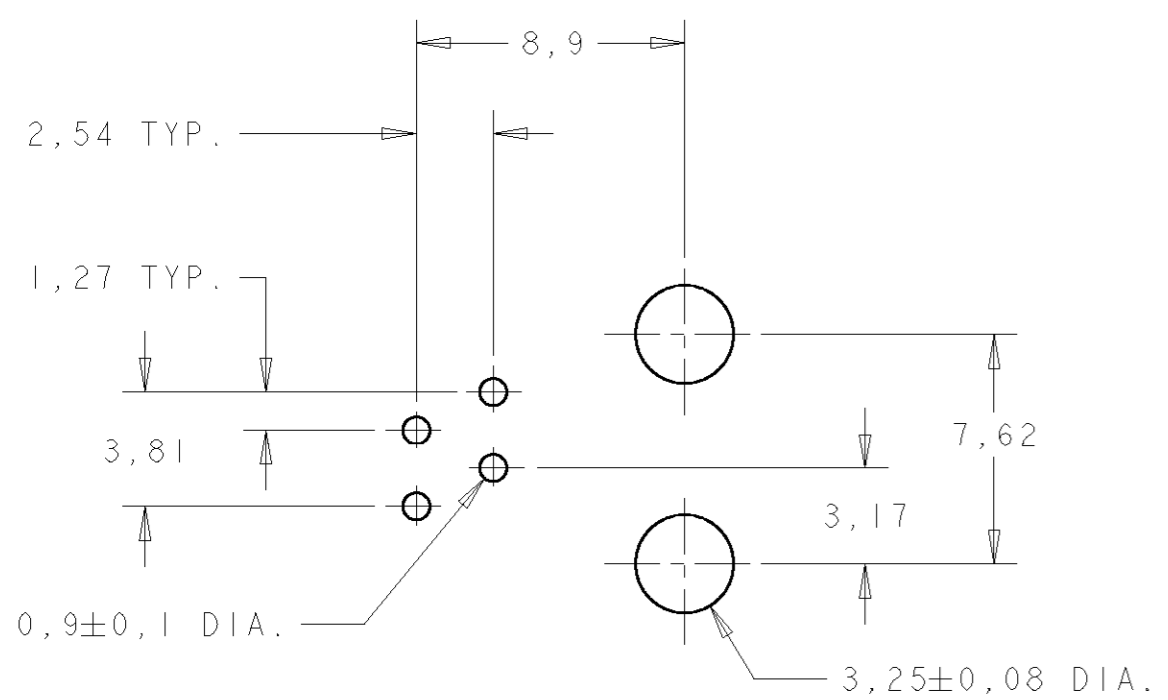
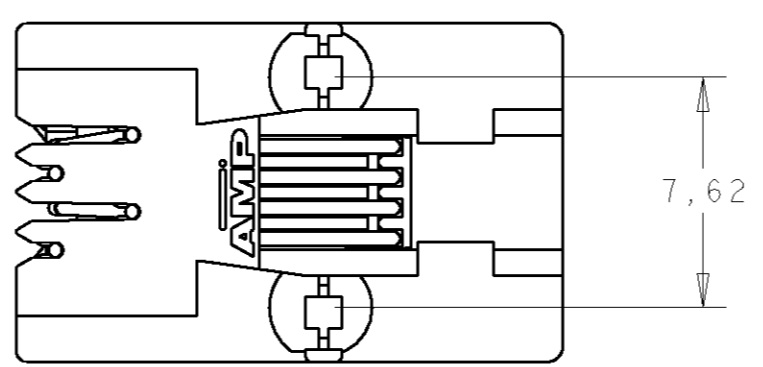
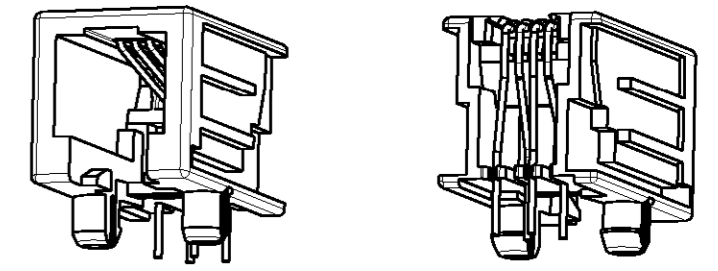
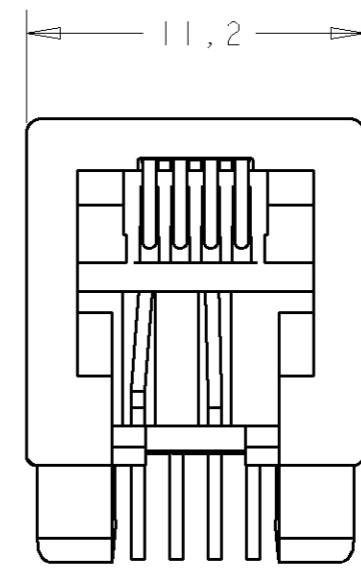
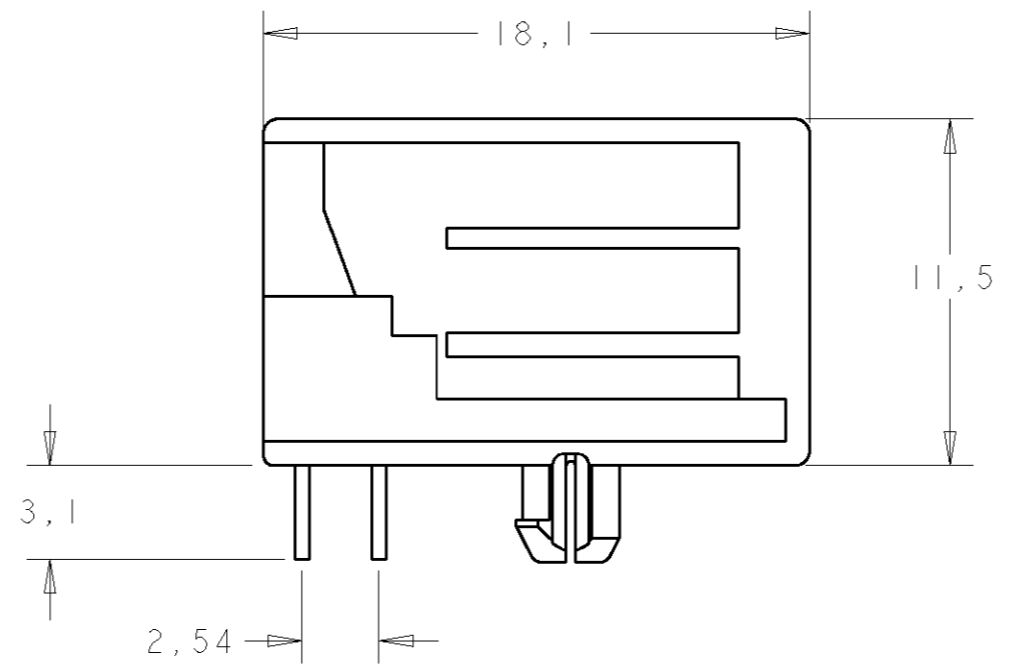
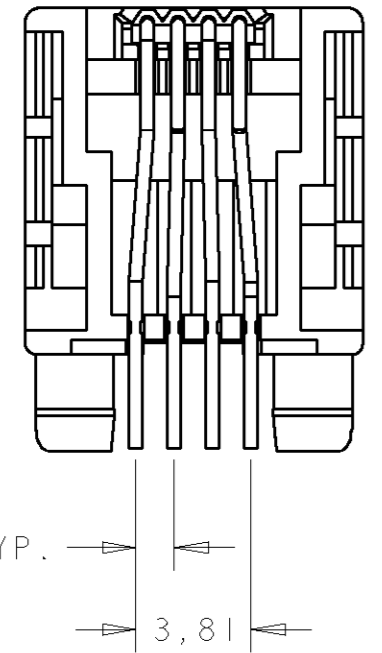
THIS DRAWING IS UNPUBLISHED. RELEASED FOR PUBLICATION DATE: -
 © COPYRIGHT 97 By Tyco Electronics Nederland B.V. ALL RIGHTS RESERVED.

LOC	DIST	REVISIONS			
		LTR	DESCRIPTION	DATE	APVD
H	-	U	ECR-05-012760	10-OCT-05	JB
		-	-	-	-
		-	-	-	-



NOTES:

- 1 TOLERANCE UNLESS OTHERWISE SPECIFIED: 0,15.
- 2 BULK PACKAGING: TRUE POSITIONING OF THE SOLDER TINES IS NOT GUARANTEED.
- 3 SUPERSEDED BY 1-215876-3



PRINTED CIRCUIT BOARD LAYOUT
 (VIEW SHOWN IS CIRCUIT (NON-COMPONENT) SIDE OF BOARD.)
 PRINTED CIRCUIT BOARD THICKNESS: 1,6mm NOMINAL.
 TOLERANCE UNLESS OTHERWISE SPECIFIED: ±0,05.

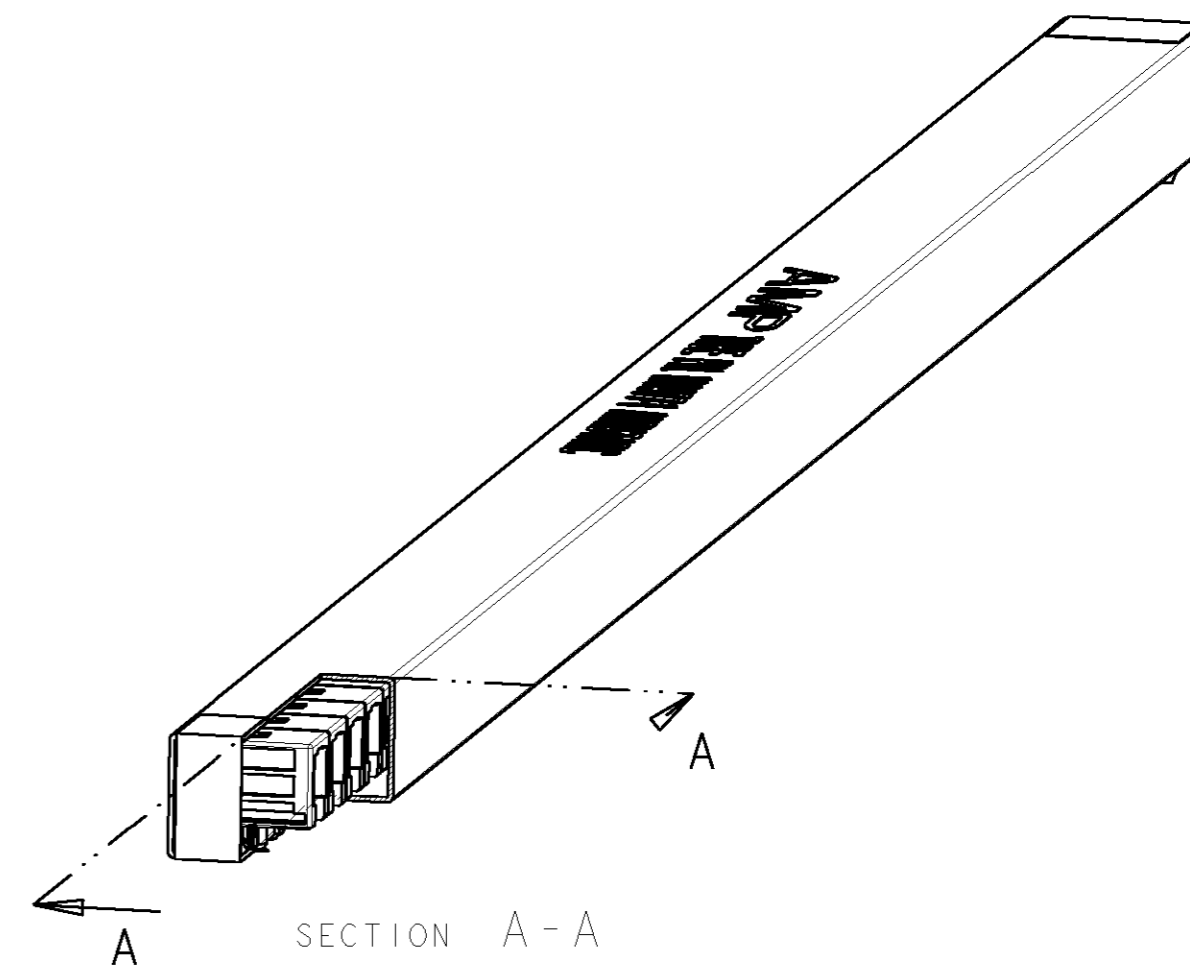
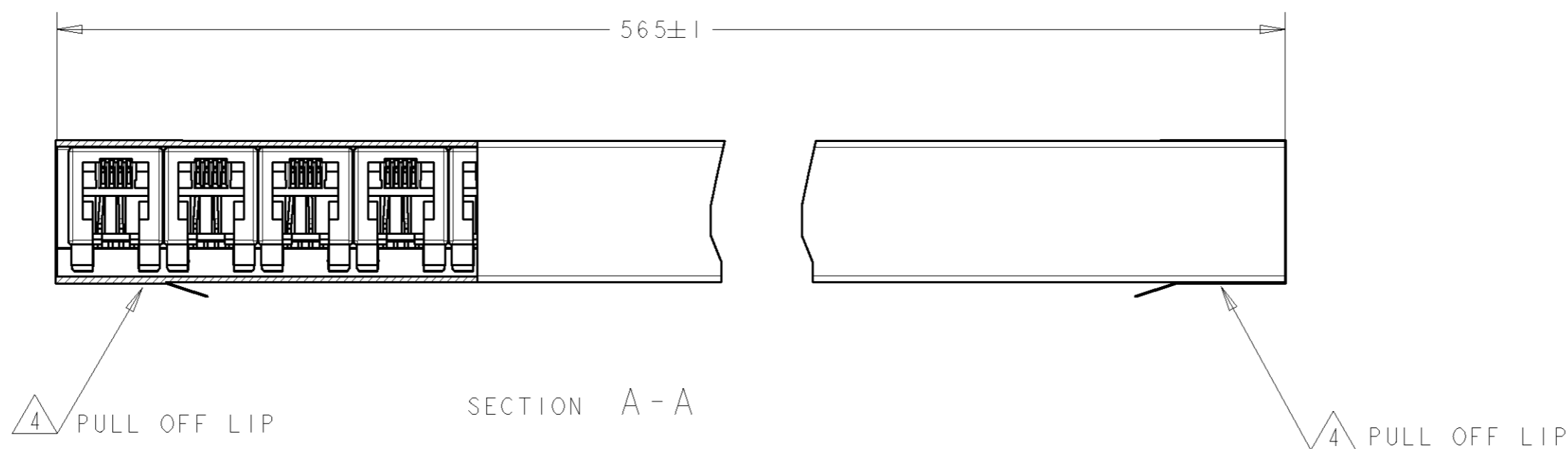
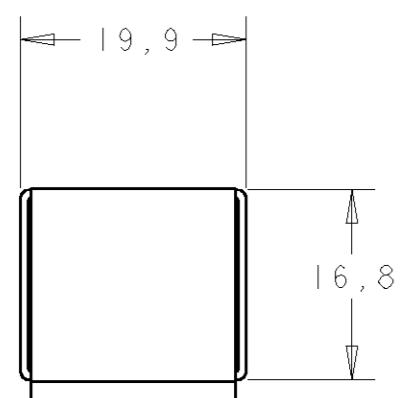
IN CONTACT AREA: 1,2µm MIN. SEL. GOLD OVER 1,2µm MIN. NICKEL. SOLDER TINES: 2,5µm MIN. TIN OVER 1,2µm MIN. NICKEL.	HOUSING, COLOR BLACK: PBT 20% GF, UL 94V-0 CONTACT INSERT: PBT, UL 94V-0 CONTACTS: PH, BRONZE	290 PCS IN A TRAY	1-215875-3
		50 PCS IN A TUBE (SEE SHEET 2)	3-215875-3
		BULK PACKAGED IN A BOX	2-215875-1
		120 PIECES IN MULTI-TUBE	1-215875-1
		TAPE MOUNTED 1000pcs./reel	215875-1
FINISH	MATERIAL	PACKAGING	PARTNUMBER

THIS DRAWING IS A CONTROLLED DOCUMENT FOR Tyco Electronics Nederland B.V. IT IS SUBJECT TO CHANGE AND THE CONTROLLING ENGINEERING ORGANIZATION SHOULD BE CONTACTED FOR THE LATEST REVISION.		DWN Ev.EIJK CHK M.vESSEN APVD R. SMEETS	AMP Tyco Electronics Nederland B.V. <small>•••HERTOGENBOSCH, THE NETHERLANDS</small>	
DIMENSIONS: mm	TOLERANCES UNLESS OTHERWISE SPECIFIED: 0 PLC ± - 1 PLC ± - 2 PLC ± - 3 PLC ± - 4 PLC ± - ANGLES ± 0,2°	PRODUCT SPEC 108-19064 APPLICATION SPEC 114-19019	NAME MODULAR JACK SIDE ENTRY 4/4 FOR PRINTED CIRCUIT BOARD.	
MATERIAL	FINISH	WEIGHT	SIZE A2	CAGE CODE 00779
			DRAWING NO 215875	
			SCALE 4:1	SHEET 1 OF 2 REV U

LOC	DIST	REVISIONS			
H	-	LTR	DESCRIPTION	DATE	APVD
		--		--	--
		--		--	--
		--	SEE SHEET 1	--	--

NOTES:

- 4 TUBE IS TRANSPARANT PVC.
- 5 TUBE IS CLOSED AT BOTH ENDS BY A TAPE.



SECTION A - A

ON THIS SHEET PACKAGING IS SHOWN FOR 3-215877-3

<small>THIS DRAWING IS A CONTROLLED DOCUMENT FOR Tyco Electronics Nederland B.V. IT IS SUBJECT TO CHANGE AND THE CONTROLLING ENGINEERING ORGANIZATION SHOULD BE CONTACTED FOR THE LATEST REVISION.</small>		DWN	EvEIJK	Tyco Electronics Nederland B.V. <small>'s-HERTOGENBOSCH, THE NETHERLANDS</small>							
		CHK	M.vESSEN								
DIMENSIONS: mm		APVD	R. SMEETS	NAME							
		TOLERANCES UNLESS OTHERWISE SPECIFIED: 0 PLC ± - 1 PLC ± - 2 PLC ± - 3 PLC ± - 4 PLC ± - ANGLES ± 0.2°		PRODUCT SPEC	SIZE	CAGE CODE	DRAWING NO				
MATERIAL -		FINISH		- - - - -	A2 00779 © 215875	SCALE	4:1	SHEET	2 OF 2	REV	U